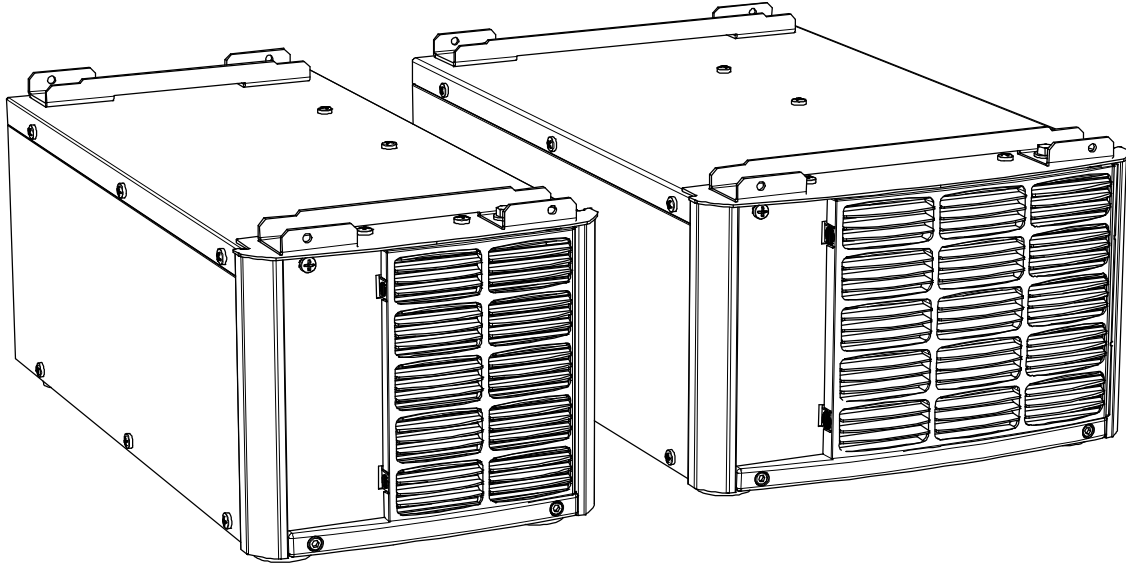


**Spare parts list**



**Valid for serial no. 303-xxx-xxxx**

**Ordering number**

0459 144 880 Autotransformer TUA 1 Narrow

0459 145 880 Autotransformer TUA 2 Wide

Spare parts are to be ordered through the nearest ESAB agency. Kindly indicate type of unit, serial number, denominations and ordering numbers according to the spare parts list.

Maintenance and repair work should be performed by an experienced person, and electrical work only by a trained electrician. Use only recommended spare parts.

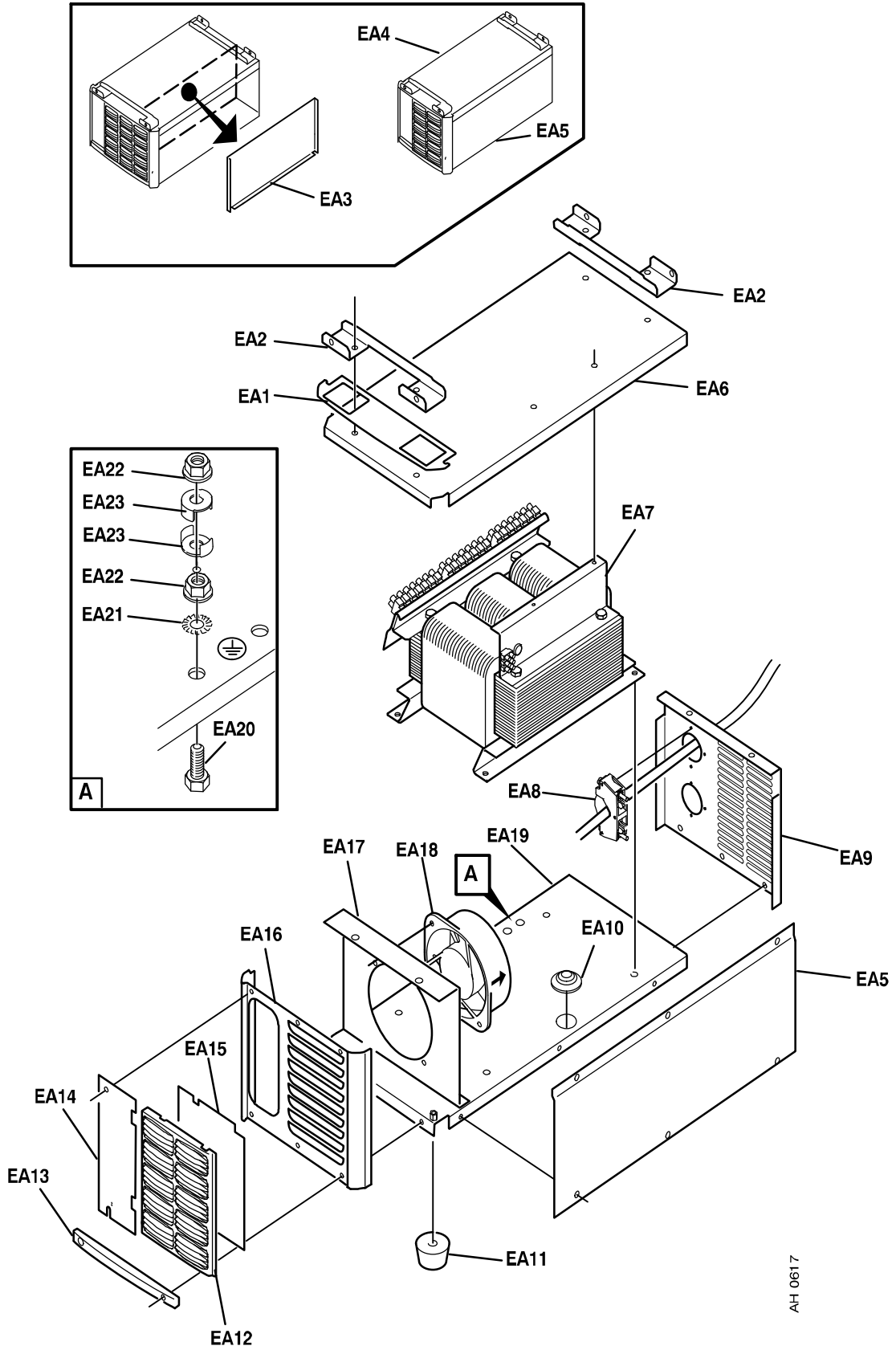
Rights reserved to alter specifications without notice.

## Autotransformer TUA 1, Autotransformer TUA 2

1

| Item. | Qty<br>TUA 1<br>Narrow | Qty<br>TUA 2<br>Wide | Ordering no. | Denomination                 | Notes   |
|-------|------------------------|----------------------|--------------|------------------------------|---|
|       | x                      |                      | 0459 144 880 | Autotransformer              |   |
|       |                        | x                    | 0459 145 880 | Autotransformer              |   |
| EA1   | 1                      |                      | 0459 132 001 | Cover                        |   |
|       |                        | 1                    | 0459 136 001 | Cover                        |   |
| EA2   | 2                      |                      | 0459 133 001 | Docking bracket              |   |
|       |                        | 2                    | 0459 134 001 | Docking bracket              |   |
| EA3   |                        | 1                    | 0459 238 001 | Baffle                       | Wide only                                       |
| EA4   | 1                      | 1                    | 0459 142 002 | Side panel                   | left  |
| EA5   | 1                      | 1                    | 0459 142 001 | Side panel                   | right   |
| EA6   | 1                      |                      | 0459 137 001 | Autotransformer cover        |   |
|       |                        | 1                    | 0459 138 001 | Autotransformer cover        |   |
| EA7   | 1                      | 1                    | 0459 098 001 | Autotransformer              |   |
| EA8   | 2                      | 2                    | 0469 950 880 | Cable clamp                  |   |
| -     | 2                      | 2                    |              | Screw                        | M6x80, Replace to fully threaded in lower clamp |
| EA9   | 1                      |                      | 0459 139 001 | Rear panel                   |   |
|       |                        | 1                    | 0459 140 001 | Rear panel                   |   |
| EA10  | 1                      | 1                    | 0194 069 003 | Rubber inlet                 |   |
| EA11  | 4                      | 4                    | 0458 683 001 | Foot                         |   |
| EA12  | 1                      |                      | 0458 382 001 | Front grill                  |   |
|       |                        | 1                    | 0458 383 001 | Front grill                  |   |
| EA13  | 1                      |                      | 0458 508 001 | Lower beam                   |   |
|       |                        | 1                    | 0458 509 001 | Lower beam                   |   |
| EA14  | 1                      | 1                    | 0458 623 005 | Connection plate auto transf |   |
| EA15  | 1                      |                      | 0458 397 001 | Filter                       |   |
|       |                        | 1                    | 0458 398 001 | Filter                       |   |
| EA16  | 1                      |                      | 0458 389 002 | Front profile                |   |
|       |                        | 1                    | 0458 390 002 | Front profile                |   |
| EA17  | 1                      |                      | 0459 141 001 | Fan panel                    |   |
|       |                        | 1                    | 0459 237 001 | Fan panel                    |   |
| EA18  | 1                      | 1                    | 0455 838 001 | Fan                          |   |
| EA19  | 1                      |                      | 0458 384 001 | Bottom plate                 |   |
|       |                        | 1                    | 0458 385 001 | Bottom plate                 |   |
| EA20  | 10                     | 10                   |              | Screw                        | M8x16   |
| EA21  | 4                      | 4                    |              | Washer lock                  | D15/8.4x15                                      |
| EA22  | 8                      | 8                    |              | Nut                          | M8  |
| EA23  | 4                      | 4                    | 0264 300 405 | Washer                       | KB 8.5  |
| -     | 4                      | 4                    |              | Screw                        | M6x19   |
| -     | 2                      | 2                    |              | Screw                        | M6x20   |
| -     | 8                      | 8                    |              | Screw                        | M8  |
| -     | 32                     | 32                   |              | Screw                        | M6x16   |
| -     | 6                      | 6                    |              | Washer lock                  | D6.4x11   |

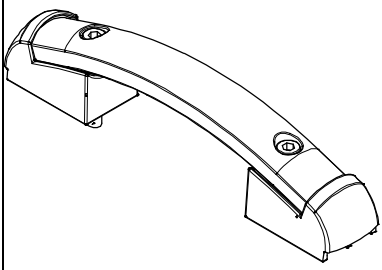
# Autotransformer TUA 1, Autotransformer TUA 2



AH 0617

## Autotransformer TUA 1, Autotransformer TUA 2

### Accessories

|   |  |              |
|---|--|--------------|
|  | <b>Handle (1 piece) with mounting screws</b> |              |
|   | Narrow .....                                 | 0459 307 880 |
|   | Wide .....                                   | 0459 307 881 |